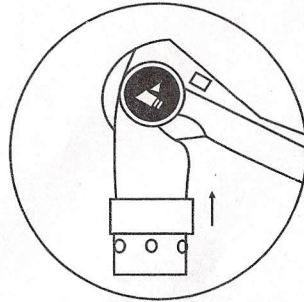




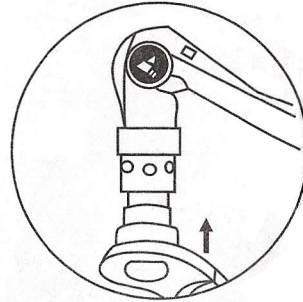
Wall Mounted Pet Dryer (PC-1704) Assembling Drawings

1

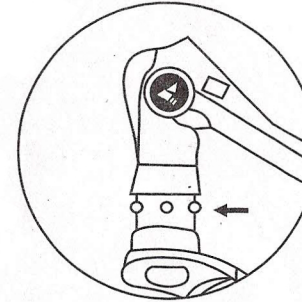
Firstly, the method to combine frame head with hanging:



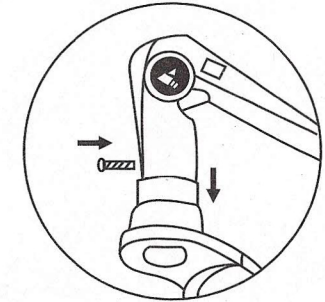
1. to telescope the stainless steel to the end of the hanging, and above the small round hole.



2. to insert the crane boom into the hanging, until joint completely.



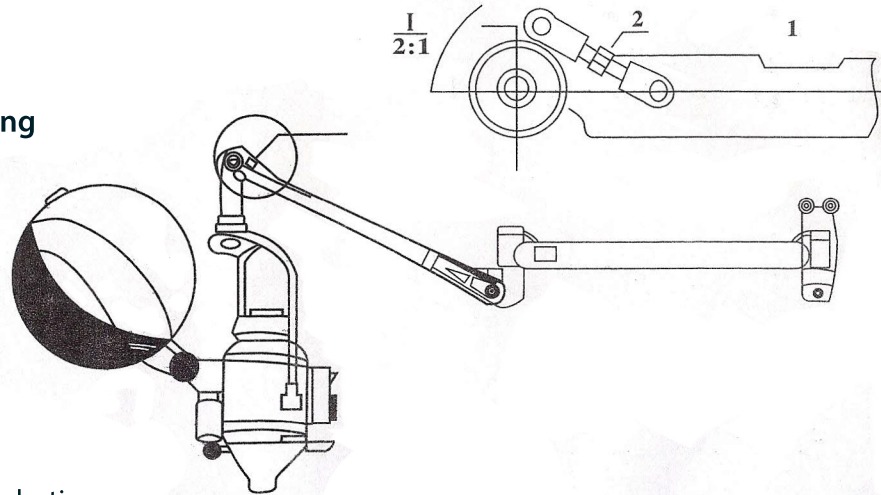
3. to oil four small steel balls, then plug them into the small round hole in the end of the



4. to haul down the stainless steel ring until the end of the hanging, make it connected with the crane boom, lastly fix them with the small bolt

2

Secondly, the adjusting method of hanging:



A. the adjustment of elastic:

- If the institution cannot stop freely, you need to adjust the elastic of the hanging.
- To unscrew the screw on the cap, then adjust the nut 1 in the container with the special screwdriver (forward to with the machine), until the frame head can stop freely.

B. the adjustment of balance:

- If the dryer is too low, you need to adjust the level.
- To unscrew the screw on the cap, then adjust the hexagonal bolt 2 with sharp nose pliers until the horizon level.

3

Thirdly, the setting length and height of hanging:

