

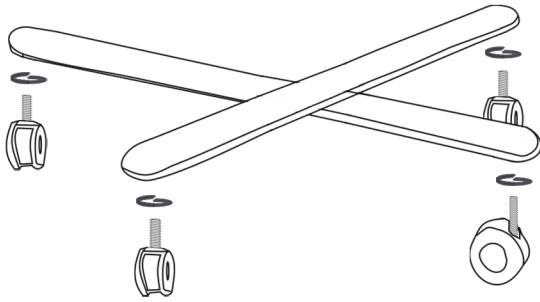


Rolling Stand Pet Dryer (PC-1703)

Assembling Drawings

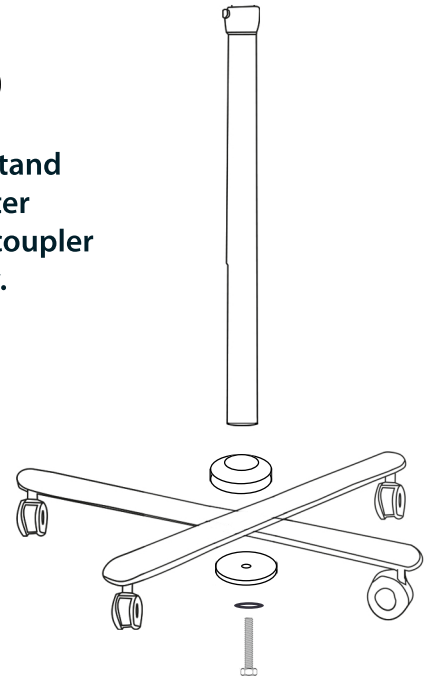
1

Screw and tighten the wheels to the stand base.



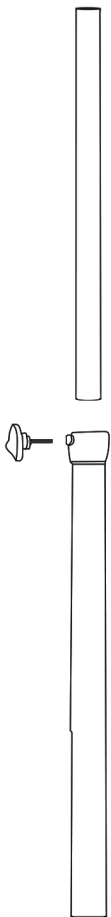
2

Assemble the wheel stand base to the outer center stand post using the coupler and the locking screw.



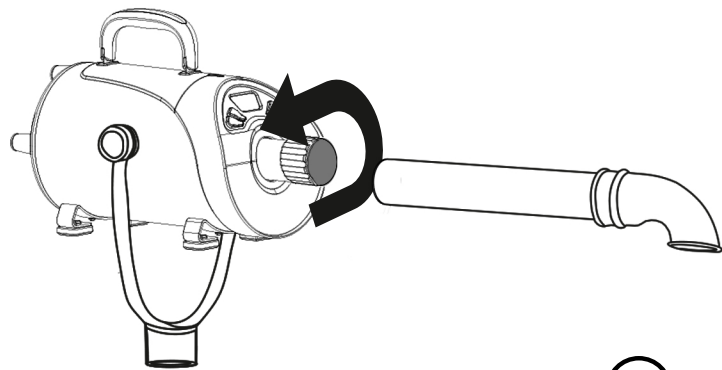
3

Insert the inner stand post to the outer center stand post and adjust the height with the adjustable tightening hand screw.



4

Place the dryer on the end of the inner stand post and tighten with the locking security screw.



5

Two Options:

1. Screw in, counterclockwise, the Flexible Hose or the Solid Fixed Pipe to the dryer.
2. Screw in, counterclockwise, the Flexible Hose to the dryer and to the nozzle adapter, and connect the desired nozzle)

